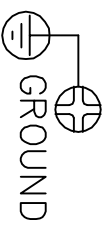
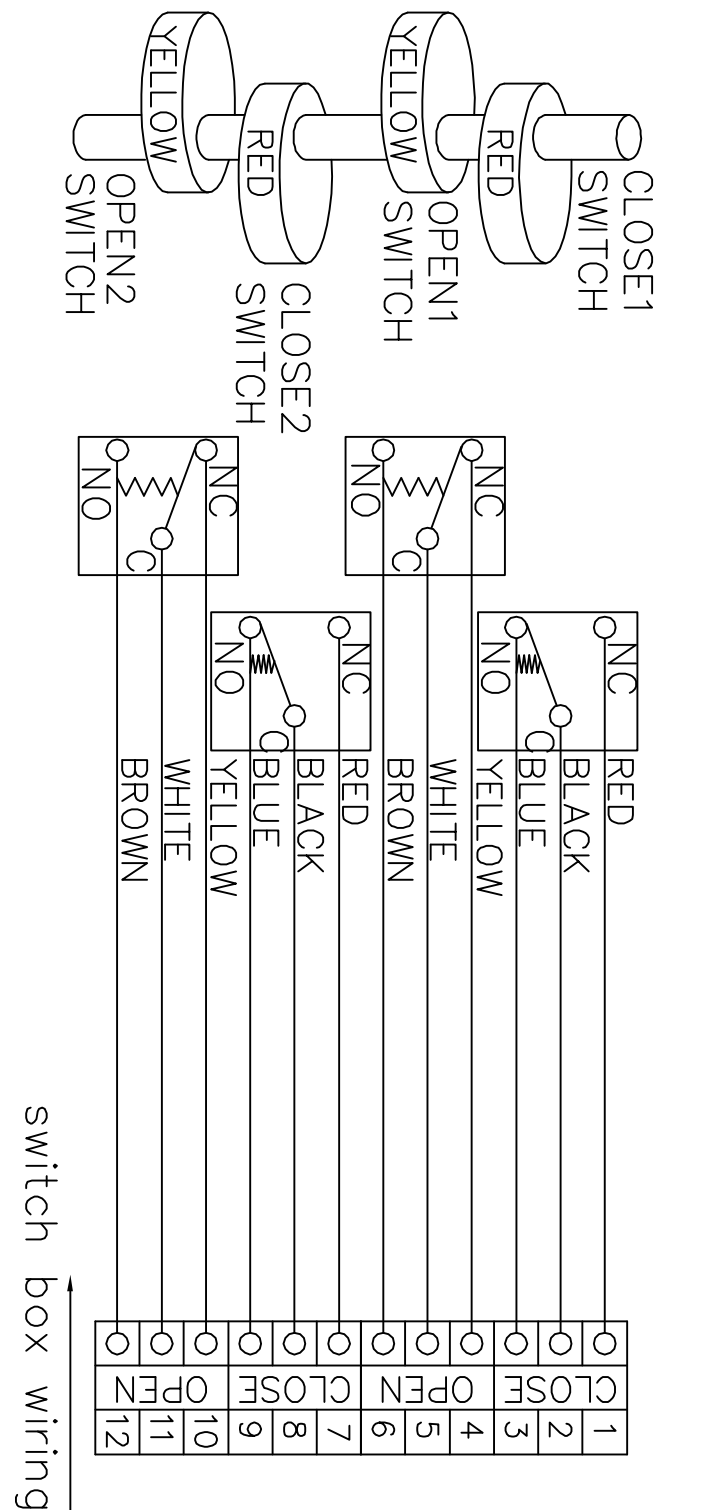


MECHANICAL SWITCH(4 SPDT)

MODEL: APL-(3,4,5)12N



CHK	DATE	CONTENTS	DRAW	APPD	REMARKS
△1					
△2					
△3					



switch box wiring

NOTE

TYPE: MECHANICAL SWITCHS VOLTAGE: MAX 250V AC or DC
 0.6A 125V DC, 0.3A 250V DC, 16A 1/2HP 125/250V AC
 16(3)A 250V - T150U +-+

L I M I T S W I T C H B O X					
M E C H A N I C A L S W I T C H S M O D E L : A P L 4 1 2 N					
SCALE	N/S	UNIT	mm	DWG NO	HKC - 3W - 003
APP		CHK		DATE	05.11.1998
CHK		ENG		DRWN	

HK CONTROL MATIC CO., LTD.