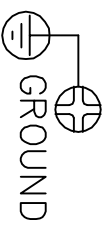
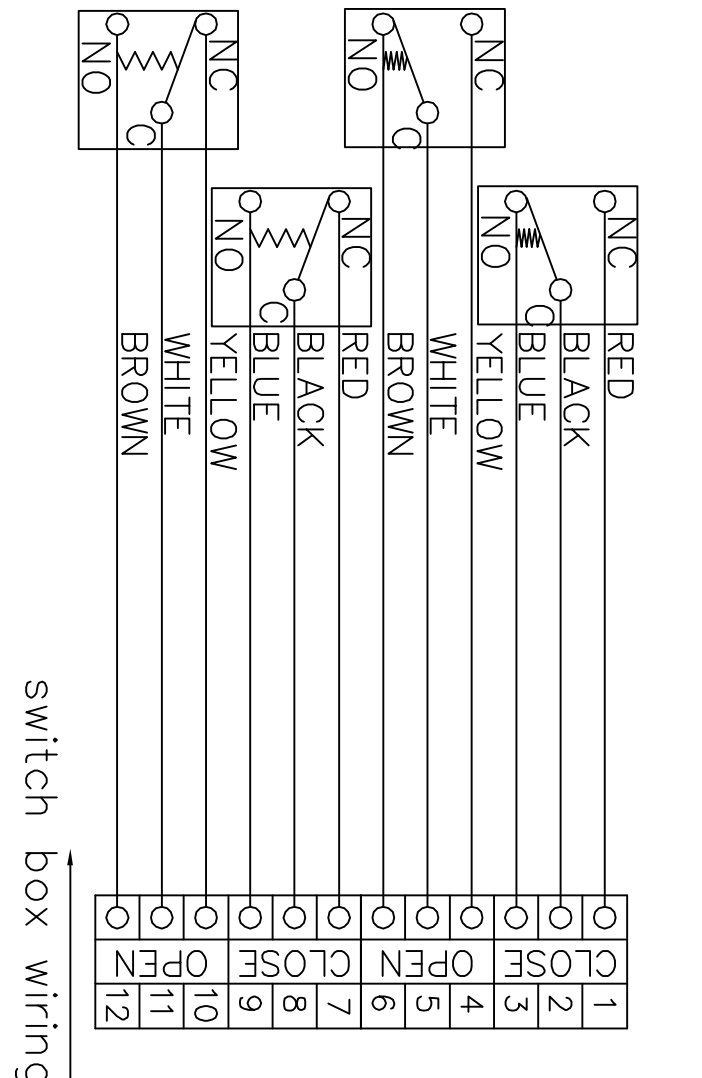
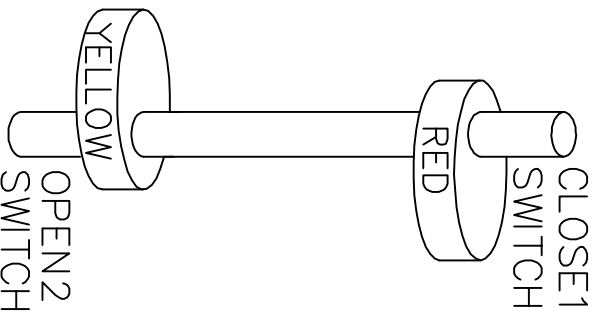


# MECHANICAL SWITCH(2 DPDT)

MODEL: APL(3,4,5)14N



CHK	DATE	CONTENTS	DRAW	APPD	REMARKS
△1					
△2					
△3					



**NOTE**

TYPE: MECHANICAL SWITCHS VOLTAGE: MAX 250V AC or DC  
 0.6A 125V DC, 0.3A 250V DC, 16A 1/2HP 125/250V AC  
 16(3)A 250V – T150U +-+

LIMIT SWITCH BOX					
MECHANICAL SWITCHS MODEL: APL412N					
SCALE	N/S	UNIT	mm	DWG NO	HKC – 3W – 023
APP		CHK		DATE	05.11.1998
CHK		ENG		DRWN	

**HK CONTROL MATIC CO., LTD.**