

All Stainless Steel Valve Position Monitor

APL-9 Series

Stainless
steel



Laser Marking



IP67



CE

Valve Position Monitor: APL-9 series



Benefits



Housing, cover and brackets are all made of press-formed stainless steel to secure long life, superb corrosion resistance and durability.



Economical price.



Permanent laser marking on the nameplate.



Weatherproof IP67
Option : watertight IP68 (2 m 72 hr)



Light weight and robust design.



- Visual position indicator with tight indicator window sealing.
- Spring loaded splined cam: easy setting without tools.
- Captive cover bolts: no need to worry about losing them when the cover is open.
- NAMUR standard stainless steel shaft and bracket.



Design Construction

Window / Indicator

PC / ABS

Nameplate

Laser marking on the cover

Terminal block

Standard: 8P
Option: 12P

Cam

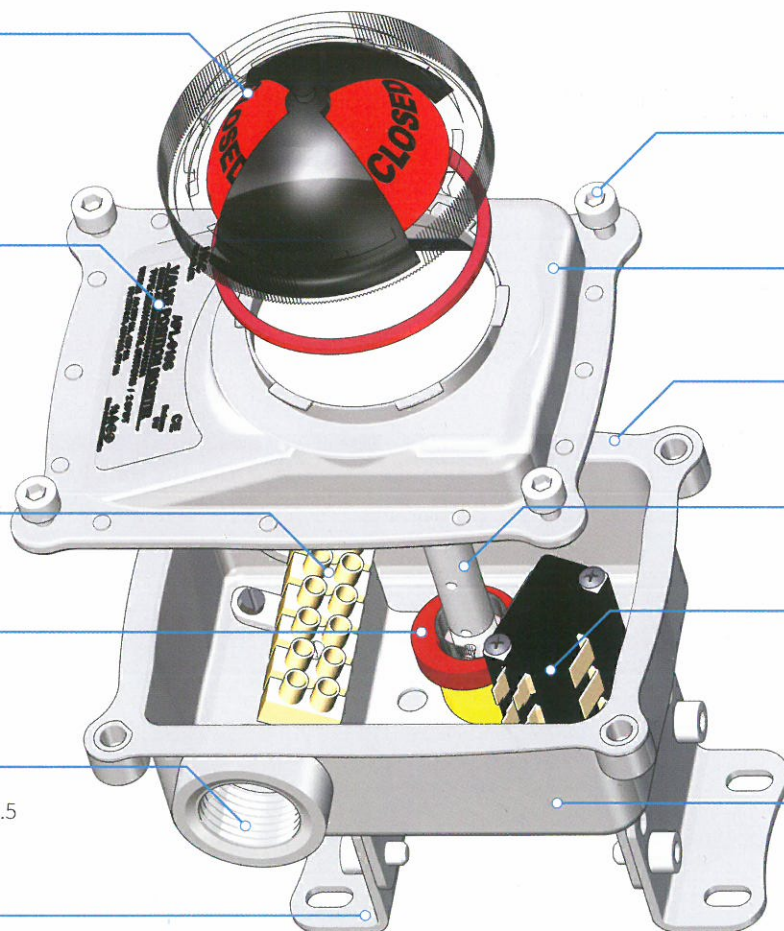
ABS

Cable Entries

Standard: 2 x NPT1/2"
Option: 2 x PF1/2", M20, PG13.5

Bracket set

Stainless steel



Captive cover bolts

Stainless steel

Cover

Stainless steel

Pad

Standard: NBR
Option: Viton, Silicon

Shaft

Stainless steel

Switch

Standard: mechanical switch x 2
Option: mechanical switch x 3-4
Proximity sensor x 2
Reed type proximity sensor x 2

Body

Stainless steel

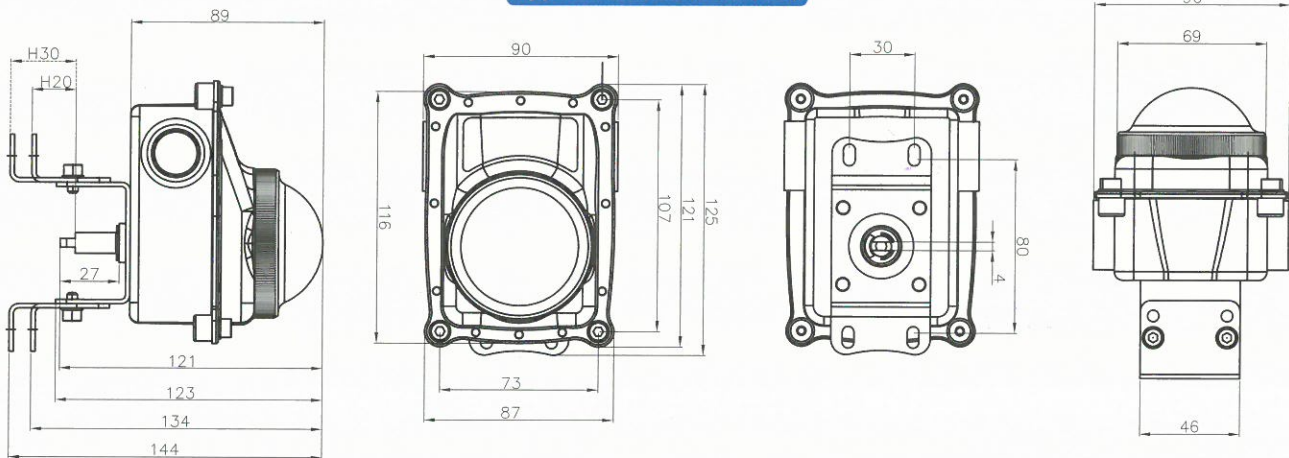
Specification

	Standard	Option
Enclosure	Weatherproof IP67 - IEC 60529	Watertight IP68 (2 m 72 hr) - IEC 60529
Material	304 stainless steel	316L stainless steel
Ambient temperature	-20 to +80 °C	-50 to +80 °C (low temp.) -40 to +110 °C (high temp.)
Cable entries	2 x NPT1/2"	2 x PF1/2", 2 x M20, 2 x PG13.5
Position indicator	Open-yellow, close-red	Three positions (T-port, L-port)
Terminal block	8 p (0.08 - 2.5 mm ²)	12 p (0.08 - 2.5 mm ²)
Coating		Anti-corrosion coating
Bracket	Type S: 80 x 30 (H: 20, 30)	Type O: 80 x 30 (H: 20, 30) & 130 x 30 (H: 30, 50)

Dimension

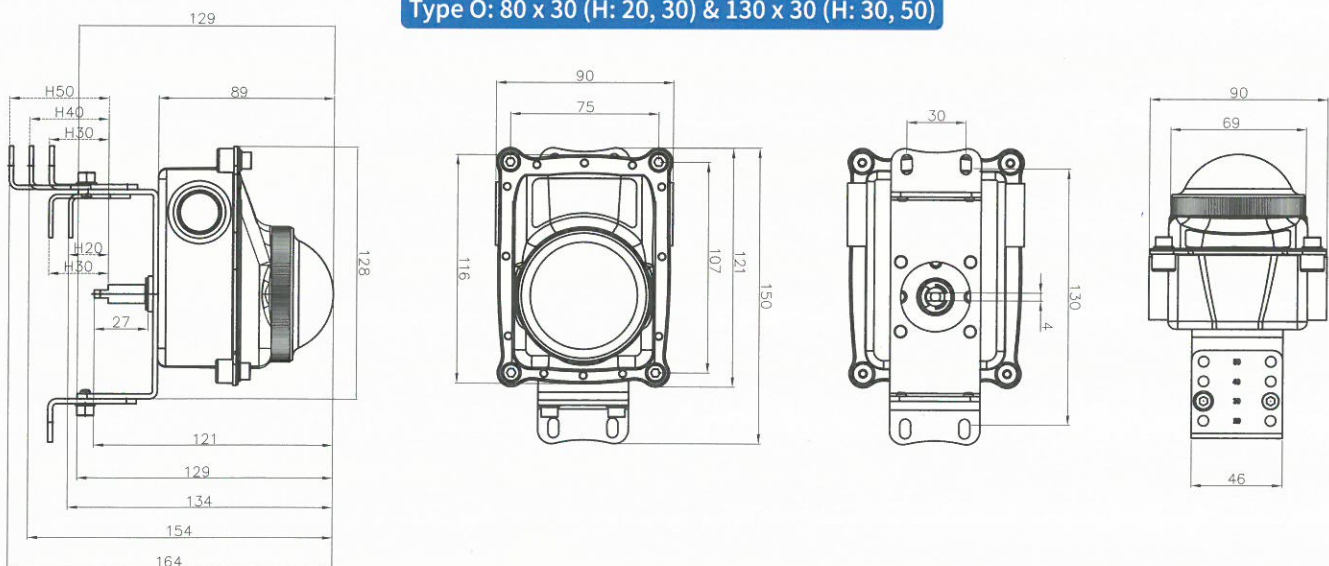
Unit: mm

Type S: 80 x 30 (H: 20, 30)



Unit: mm

Type O: 80 x 30 (H: 20, 30) & 130 x 30 (H: 30, 50)



Ordering Information

APL - 9 10 N S

Model (Enclosure)

- 9 Stainless steel (IP67)
Option (IP68) 2 m 72 hr

Switch

Mechanical switch

- 10 2 - SPDT
- 11 3 - SPDT
- 12 4 - SPDT

Proximity sensor

- 20 P&F. NJ2-V3-N
- 23 P&F. NBB2-V3

Reed type proximity sensor

- 30 Reed type proximity sensor. MS-301

Enclosure Material

- N 304 stainless steel
- L 316L stainless steel
- C Anti-corrosion coating

Bracket Type

- S 80 x 30 (H: 20, 30) ----- HKC pneumatic actuator: HP-035 to HP-125
- O 80 x 30 (H: 20, 30) & 130 x 30 (H: 30, 50) ----- HKC pneumatic actuator: HP-145 to HP-212



HKC Co., Ltd.

www.hkcon.co.kr

Headquarter / Factory

Add. Seonggok-dong, 155 Byeolmang-ro, Danwon-gu, Ansan-si, Gyeonggi-do, South Korea (15417)
Tel. +82-31-488-8266
Fax. +82-31-488-8267
E-mail. hkcon@hkcon.co.kr

Seoul Office

Add. 1009ho, 278, Beotkkot-ro, Geumcheon-gu, Seoul, South Korea (08511)
Tel. +82-2-2138-8266
Fax. +82-2-2138-8269

Published product features and technical data do not express warranty and may be subject to change without prior notice.

Valve automation leader **HKC**