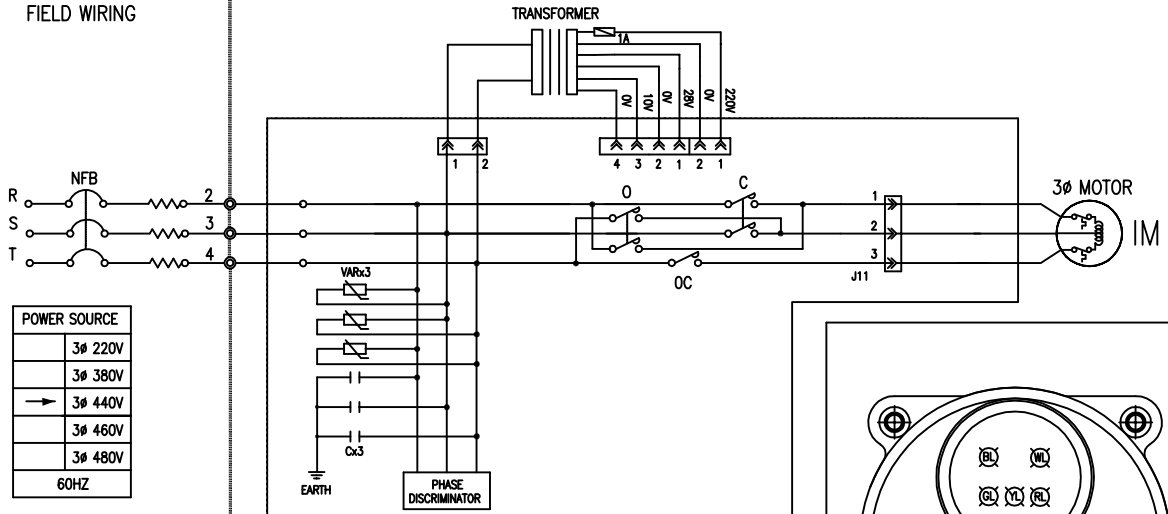


CUSTOMER SUPPLY
FIELD WIRING

CONTROLLER & ACTUATOR ASS'Y



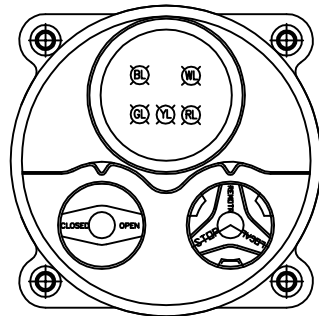
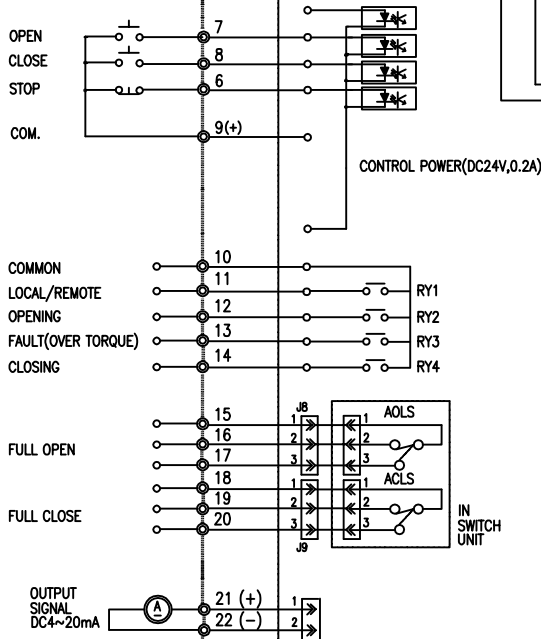
POWER SOURCE	
	3φ 220V
	3φ 380V
→	3φ 440V
	3φ 460V
	3φ 480V
60HZ	

V00806 - HQ - 938000
DWG. NO

**** TERMINAL BLOCK ****

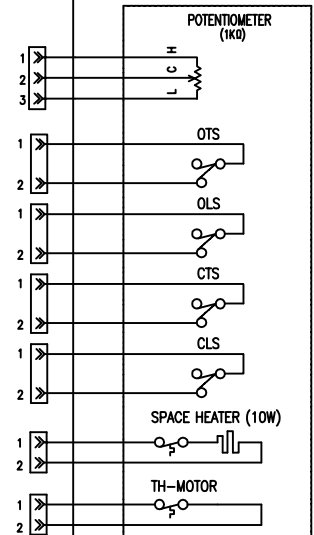
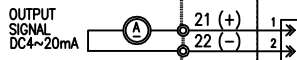
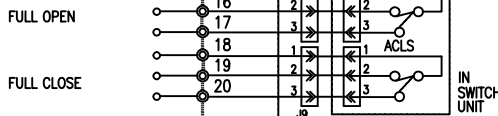
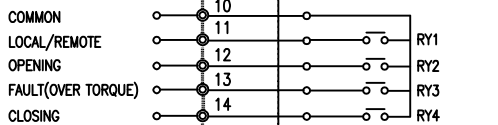
W	R	S	T
1	13		
2	14		
3	15		
4	16		
5	17		
6	18		
7	19		
8	20		
9	21		
10	22		
11	23		
12	24		

USER REMOTE CONTROL



SELECTOR SWITCH (SELECTOR SWITCH)
(SPRING RETURN TYPE)

CONTROL POWER(DC24V,0.2A)



SWITCH UNIT

**** NOTE ****

OLS : OPEN LIMIT SWITCH
 CLS : CLOSE LIMIT SWITCH
 OTS : OPEN TORQUE LIMIT SWITCH
 CTS : CLOSE TORQUE LIMIT SWITCH
 O/C : OPEN/CLOSE POWER RELAY(DC 24V)
 RL : RED LAMP FOR OPEN WL : WHITE LAMP FOR POWER
 GL : GREEN LAMP FOR CLOSE BL : BLUE LAMP FOR REMOTE
 YL : YELLOW LAMP FOR FAULT
 RY1 : REMOTE MONITOR RELAY
 RY3 : FAULT RELAY
 RY2/RY4 : RUNNING RELAY
 ◎ : MARKS FOR TERMINAL

**** LIMIT SWITCH CONTACT POSITIONS ****

ROTOR	CON-TACT	VALVE OPENING (%)	
		0	100
OPEN (OLS)	1-2		
	1-3		
CLOSE (CLS)	1-2		
	1-3		

— : CONTACT ON - - - : CONTACT OFF

PROJ.	SCALE 1/1	ISSU. DEPT. HADR	CHANGES	DATE	SIGN	APPR.
DRAW. S.I. CHOI						
DESIGN S.I. CHOI	DIM. (mm)	DATE 2004.06.10				
CHECK						
APPR.						
HKC			HKC CO., LTD.			
DWG. NO HQ - 93800A		PART NAME SCHEMATIC WIRING DIAGRAM		DATE		
1 OF 1 SHEET		DWG. SIZE A4		SIGN		

NO	PART NAME	MATERIAL	Q'TY	REMARK
1				